

REVISIONS

DRAWN

CHECKED

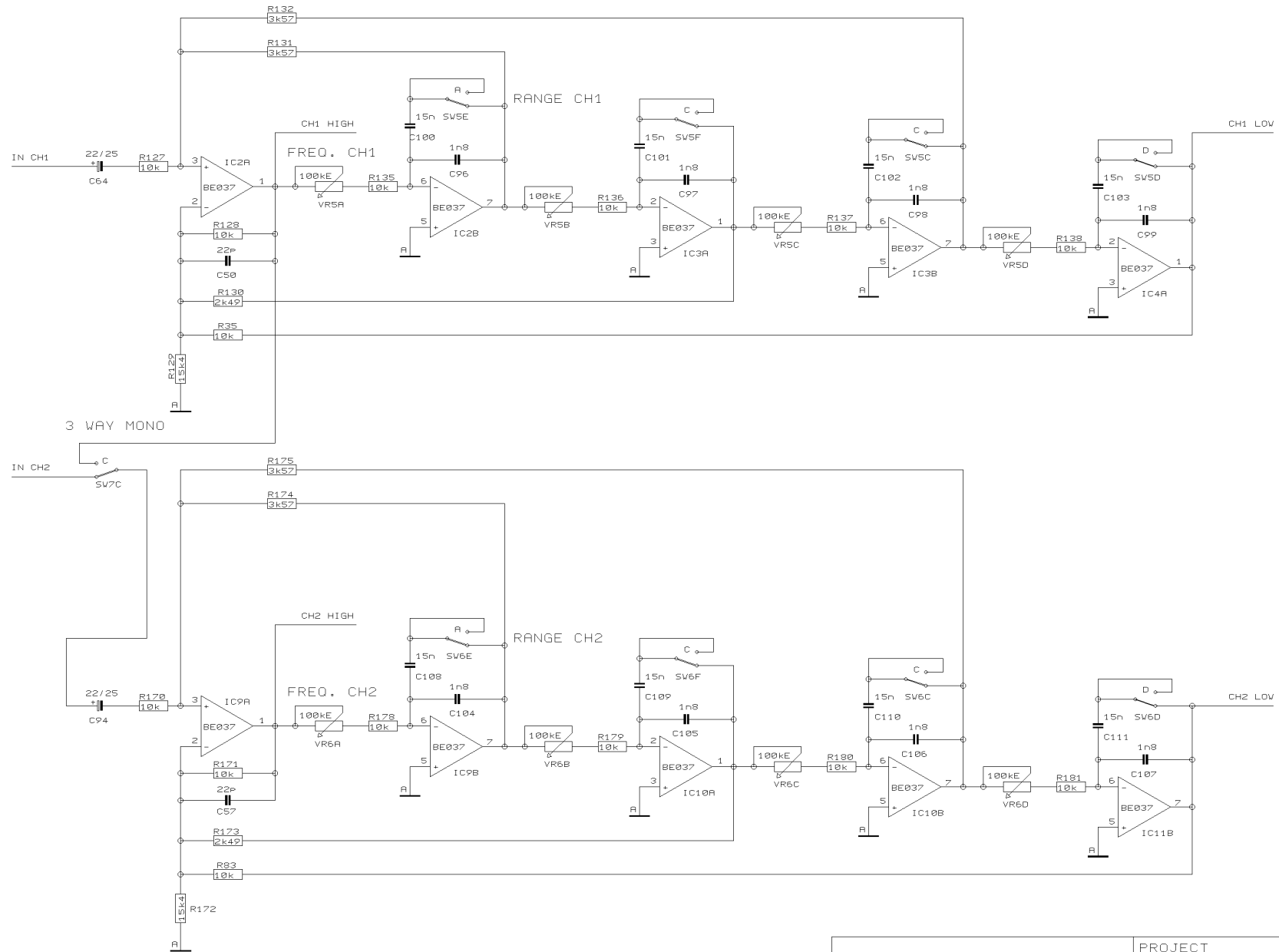
DATE 16.02. 1
7:34

BEHRINGER®

Specialized Studio Equipment

PROJECT
CX2300C
CH1 & CH2 INPUT

SHEET 1 OF 5 SHEETS TOTAL



REVISIONS

DRAWN

CHECKED

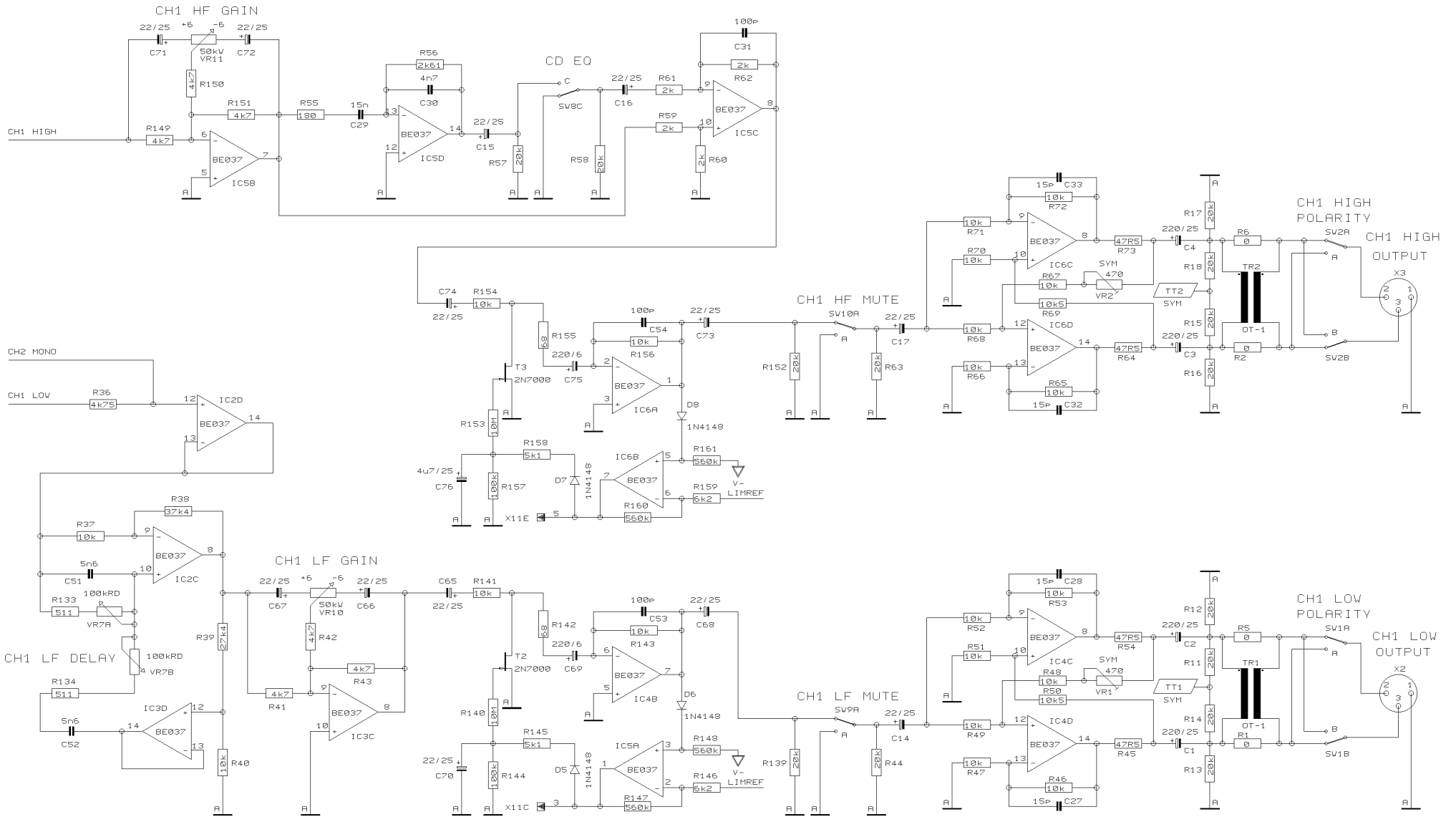
DATE 16.02. 1
7:34



Specialized Studio Equipment

PROJECT
CX2300C
FILTER CH1 & CH2

SHEET 2 OF 5 SHEETS TOTAL



REVISIONS

DRAWN

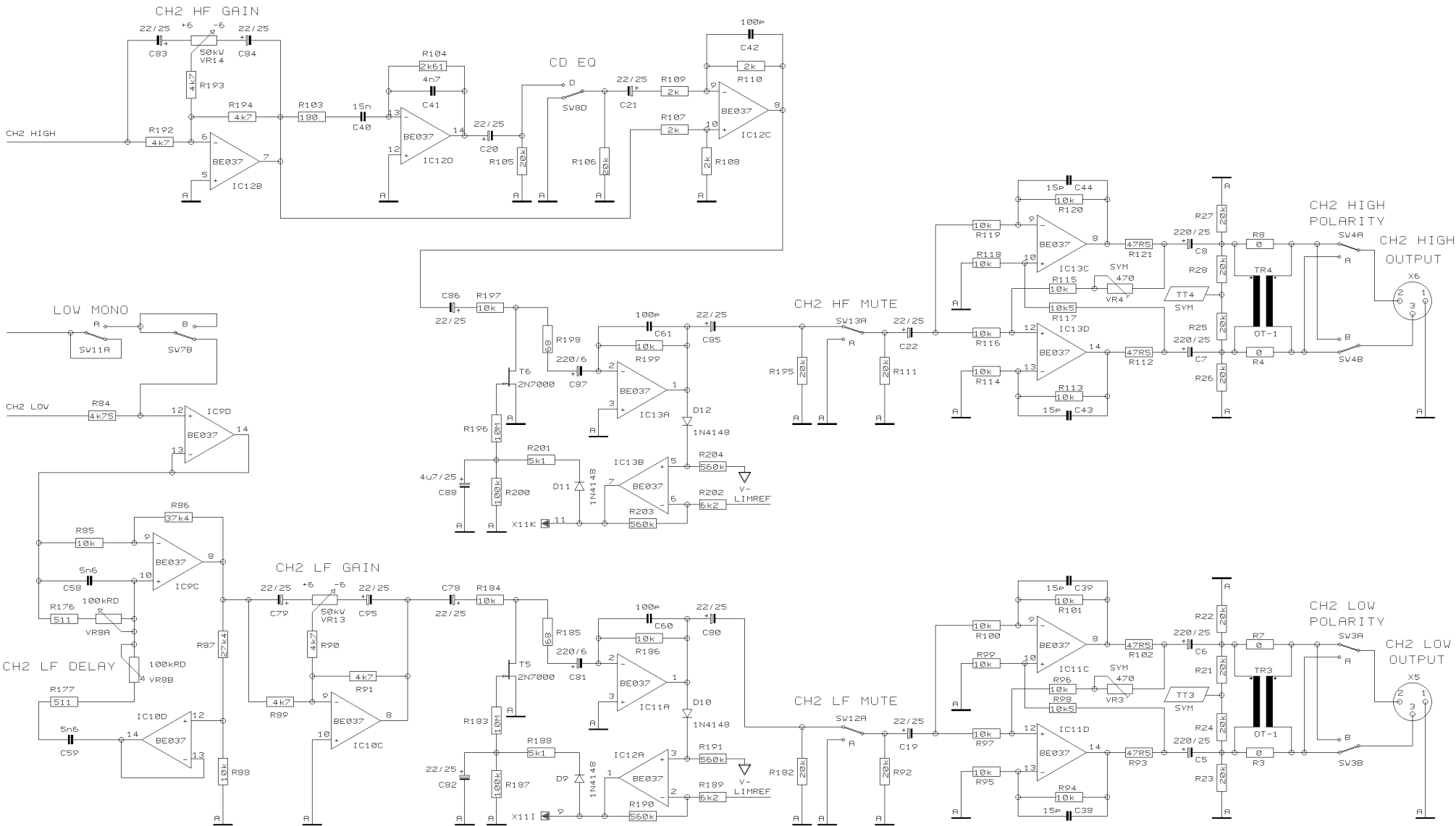
CHECKED

DATE 16.02. 1
7:34



PROJECT
CX2300C
CHANNEL 1 OUTPUT

SHEET 3 OF 5 SHEETS TOTAL



REVISIONS

DRAWN

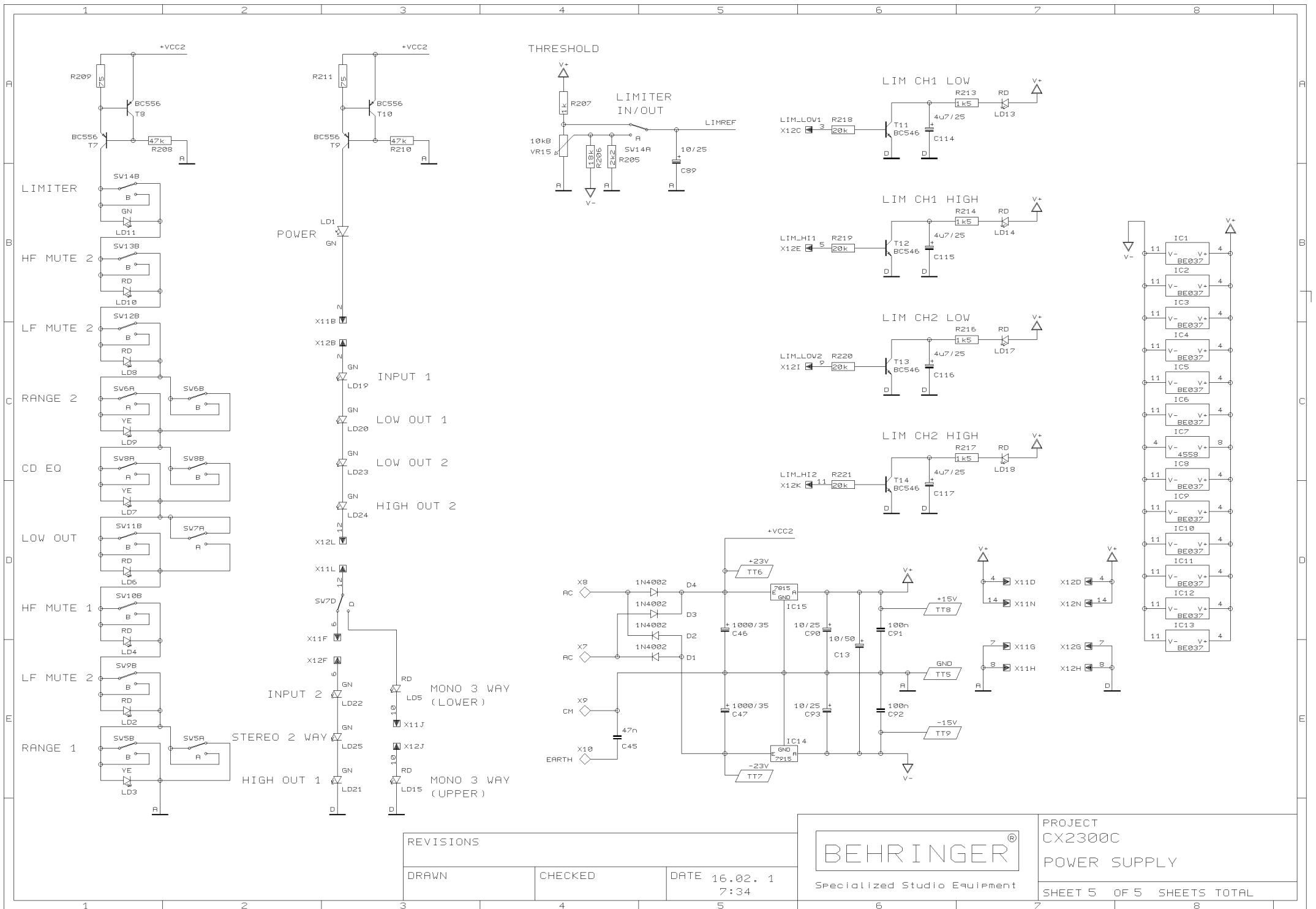
CHECKED

DATE 16.02. 1
7:34



PROJECT
CX2300C
CHANNEL 2 OUTPUT

SHEET 4 OF 5 SHEETS TOTAL



REVISIONS

DRAWN

CHECKED

DATE 16.02. 1
7:34



PROJECT
CX2300C
POWER SUPPLY

SHEET 5 OF 5 SHEETS TOTAL